

Device Racks

Compatible with:
Carrier 30 Cart™

Don't need the Baskets in your Carrier 30 Cart? Need to fit bigger devices? Install the device rack. This document will specify the maximum dimensions for a device that will fit in the Carrier 30 Cart with the rack.



Follow the steps below to check your device's compatibility with the Carrier 30 Cart. 30 slot total.

1

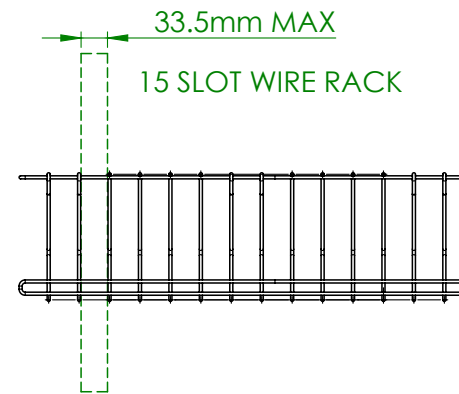
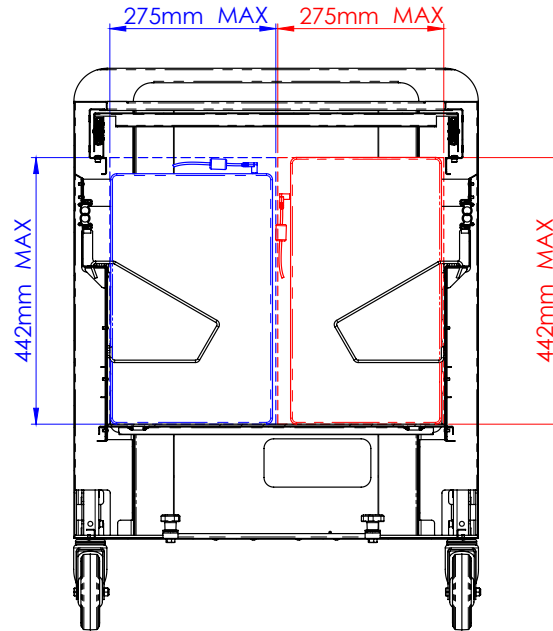
Check where the power inlet is located on your device. Is it on the side or on the rear of your device?

2

Check your device dimensions. The measurements should also consider the power outlet plugged into the device (see below).

3

If your device is smaller than the measurements shown below, your device is compatible.



CART COMPATIBILITY	DESCRIPTION	TOTAL DEVICES PER CART	MAX DIMENSIONS WITH POWER CABLE (mm):
PCL8-10006 & PCL8-10136	Device rack 15 slots	30	442 x 275 x 33.5



Follow the steps below to check your device's compatibility with the Carrier 30 Cart. 26 slot total.

1

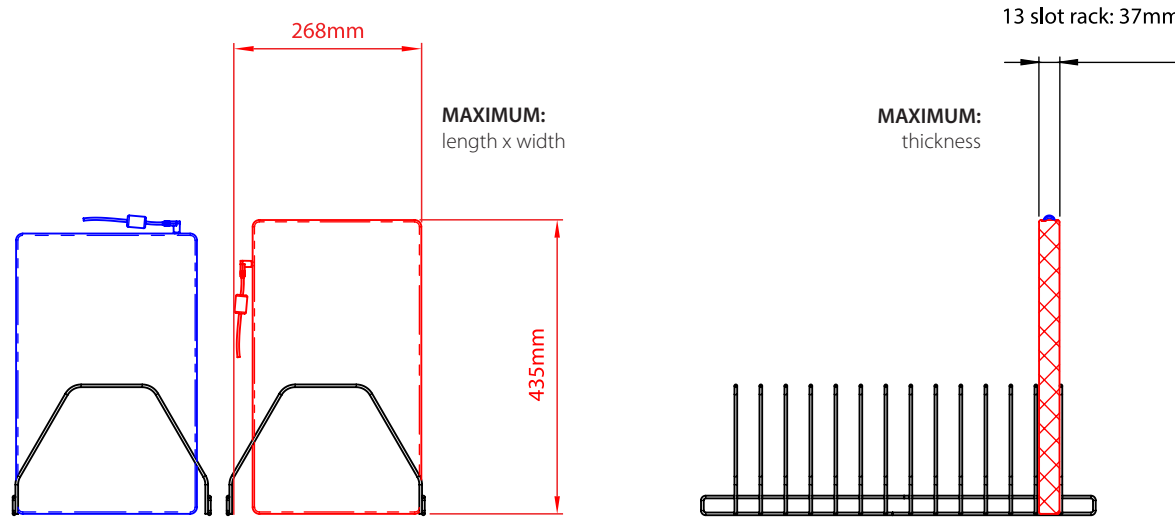
Check where the power inlet is located on your device. Is it on the side or on the rear of your device?

2

Check your device dimensions. The measurements should also consider the power outlet plugged into the device (see below).

3

If your device is smaller than the measurements shown below, your device is compatible.



CART COMPATIBILITY	DESCRIPTION	TOTAL DEVICES PER CART	MAX DIMENSIONS WITH POWER CABLE (mm):
PCL 8012, PCL8-10006 & PCL8-10136	Device rack 13 slots	26	435 x 268 x 37

